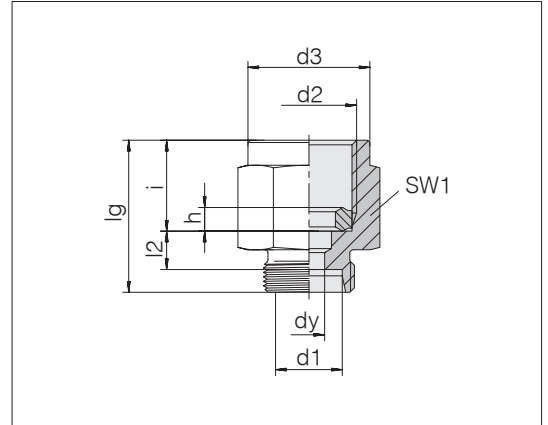


## Gauge connectors

Female thread: BSPP thread, cylindrical  
Sealing type: Seal-edge ring (Form B)

Tube coupling: 24° in acc. with ISO 8434-1



Series	Tube OD	d2	Pressure	d3	dy	lg	l2	SW1	h	i	kg/100 ca.	Order-No.	Designation
L	6	G 1/4	PN 315	18.8	4	29	7.5	19	4.6	14.5	3.4	0142002081	24-PGS-L6-IG1/4B
L	8	G 1/4	PN 315	18.8	4	29	7.5	19	4.6	14.5	3.6	0142052081	24-PGS-L8-IG1/4B
L	10	G 1/4	PN 315	18.8	4	30	8.5	19	4.6	14.5	3.9	0142102081	24-PGS-L10-IG1/4B
L	12	G 1/4	PN 315	18.8	4	30	8.5	19	4.6	14.5	4.0	0142152081	24-PGS-L12-IG1/4B
S	6	G 1/2	PN 630	26.8	4	38	11	27	5.2	20	8.2	0142502081	24-PGS-S6-IG1/2B
S	8	G 1/4	PN 630	18.8	4	31	9.5	19	4.6	14.5	4.2	0142562081	24-PGS-S8-IG1/4B
S	8	G 1/2	PN 630	26.8	5	38	11	27	5.2	20	8.5	0142552081	24-PGS-S8-IG1/2B
S	10	G 1/2	PN 630	26.8	5	38	10.5	27	5.2	20	8.8	0142602081	24-PGS-S10-IG1/2B
S	12	G 1/4	PN 630	21.8	4	31	9	22	4.6	14.5	6.2	0142662081	24-PGS-S12-IG1/4B
S	12	G 1/2	PN 630	26.8	5	38	10.5	27	5.2	20	9.0	0142652081	24-PGS-S12-IG1/2B

Example for comp. :  
MAV06LROMD